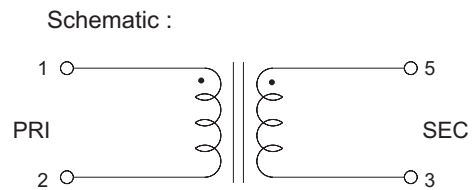
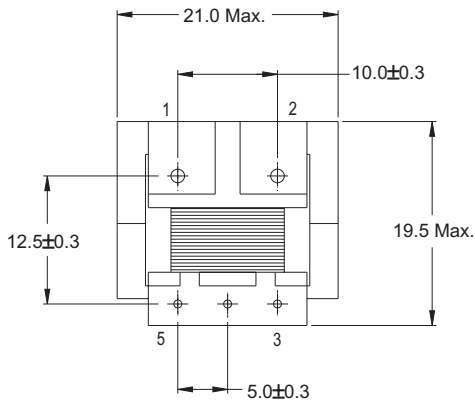
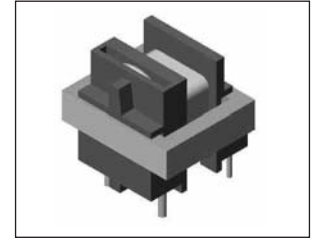
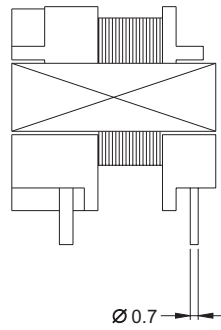
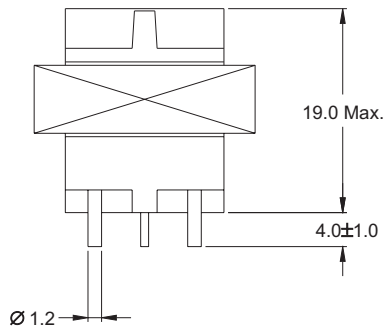


Current Sense Transformers

TCE1906H Type

Mechanical Dimension: Unit: mm



Electrical Characteristics:

■ AT 25°C, 1KHz/1V Tested:

PART NO.	INDUCTANCE (mH) MIN	DCR (Ω) MAX	RATED CURRENT (Aac)	TURN RATIO PRI : SEC
TCE1906H01	3.5	0.45	8.0	1:50

* WITHSTANDING VOLTAGE BETWEEN PRI & SEC 0.5KV 1 MINUTE



DELTA ELECTRONICS, INC.

(TAOYUAN PLANT CPBG) 252, SAN YING ROAD, KUEISAN INDUSTRIAL ZONE, TAOYUAN SHIEN, 333, TAIWAN, R.O.C.

TEL: 886-3-3591968; FAX: 886-3-3591991

<http://www.deltaww.com>